

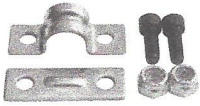
STANDARD SHIFTER

HARDWARE KIT

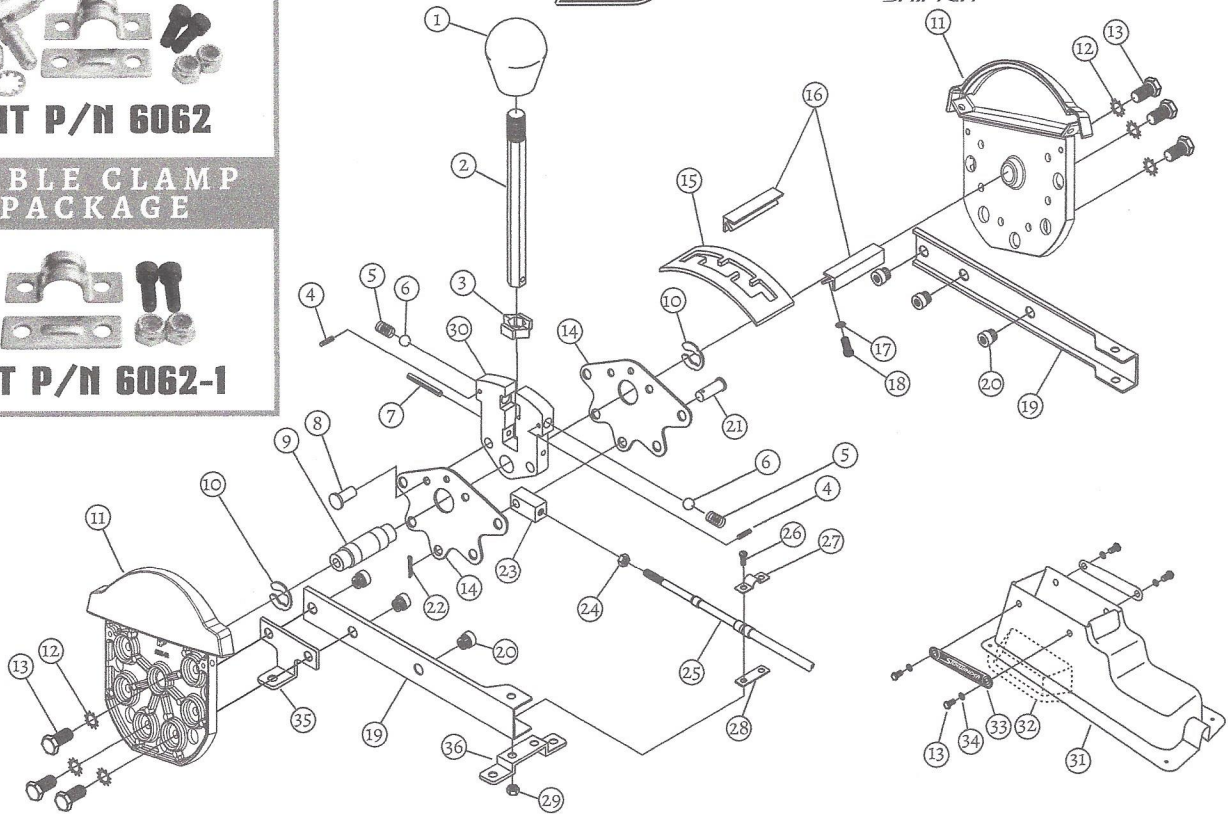


KIT P/N 6062

CABLE CLAMP PACKAGE



KIT P/N 6062-1



CONSOLE DIMENSIONS

